

# LARGE CAPACITY AUTOVID BOAT SKIP

## With automatic bale arm

**WHITNEY**

**SECATOL**



Model AUTOVID PAL-C 4000 L

**Use:** This boat skip allows the handling of all types of rubble (earth, sand, aggregates... with a medium density of 1.8) on large worksites.

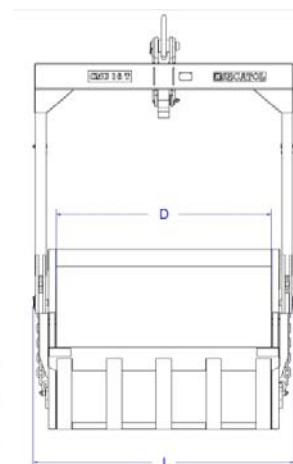
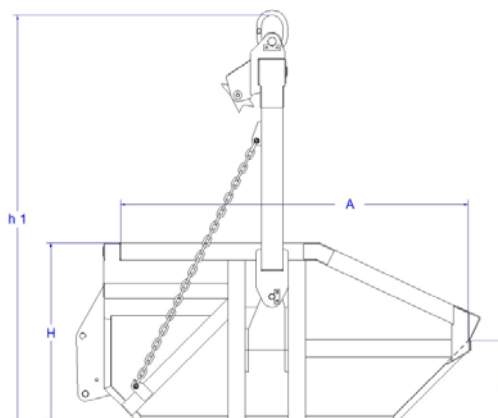
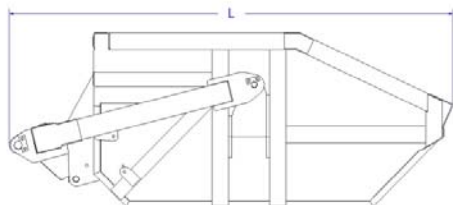
**Principle:** The bale arm's automatic lock-release system enables the crane operator to operate the skip through its full cycle unassisted. The skip discharges by tilting into the vertical position for quick, complete emptying.

**Tank:** The shape and nature of its tank ensure its robustness. Numerous reinforcements are present on it.

**Option :** Reinforced tank (superior thickness and interior reinforcements). From 10 000L, the tanks are already reinforced.



Model AUTOVID PAL-C 4000 L in discharging position



Product code	Designation	SWL (kg)	Geometrical capacity (L)	Liquid capacity (L)	A (mm)	D (mm)	h (mm)	h1 (mm)	h2 (mm)	L (mm)	I (mm)	H (mm)	Net weight (kg)
95 010 02000A	Autovid PAL C 2000 L	4000	2260	1120	2205	1200	555	2420	2890	2750	1560	1060	± 870
95 010 03000A	Autovid PAL C 3000 L	6000	3390	1680	2205	1800	555	2420	2890	2750	2160	1060	± 1050
95 010 04000A	Autovid PAL C 4000 L	8000	4380	2040	2445	1400	760	3070	3510	3300	1835	1565	± 1570
95 010 05000A	Autovid PAL C 5000 L	10000	5320	2480	2445	1700	760	3070	3525	3300	2135	1565	± 1670
95 010 06000A	Autovid PAL C 6000 L	12000	6260	2920	2445	2000	760	3100	3538	3300	2435	1565	± 1840
95 010 08000A	Autovid PAL C 8000 L	16000	9190	4130	3240	1990	765	3800	4525	4350	2420	1675	± 2850
95 010 10000A	Autovid PAL C 10000 L	20000	11730	4960	3890	1990	768	4265	5210	5030	2455	1775	± 4380
95 010 12000A	Autovid PAL C 12000 L	24000	13490	5710	3890	2290	768	4300	5240	5070	2300	2825	± 4930

(Other capacities on request)

These technical details are given for information purposes only, they can be changed without any notice.

**WHITNEY**

Ladybird House, Brockhill Yard, Hewell Lane, Redditch, B97 6QT  
[www.whitneyeng.com](http://www.whitneyeng.com) [sales@whitneyeng.com](mailto:sales@whitneyeng.com) 01785 282811  
 Sole UK dealers for SECATOL Equipment

**AUTOVID PAL-C**